

LOC		DIST		REVISIONS			
P	LTB	DESCRIPTION	DATE	DWN	APVD		
B2	ECR-10-017493		31.01.11	SR	AR		
B3	ECR-11-005515		27MAR2011	SR	AR		
B4	ECR-11-018047		08SEP11	RK	MKG		

- NOTES
- 1 MATERIAL:SEE THE TABLE
  - 2 SURFACE:SEE THE TABLE
  - 3 PACKAGING QUANTITY: 3 PIECES IN A BOX

QTY	DESCRIPTION	MATERIAL	SURFACE	COLOR	ITEM NO	NOTE
4	WASHER	V2A			15	B6.4
4	SCREW	V2A			14	M6x30
1	HOOD HIP/EMV	Al.Leg 231	SUR TEC 650 CHROMIT AL TCP PASSIVATION	BLACK	13	THREAD 3xM25
1	HOOD HIP/EMV	Al.Leg 231	SUR TEC 650 CHROMIT AL TCP PASSIVATION	BLACK	12	THREAD 1xM63
1	HOOD HIP/EMV	Al.Leg 231	SUR TEC 650 CHROMIT AL TCP PASSIVATION	BLACK	11	THREAD 5xM40
1	HOOD HIP/EMV	Al.Leg 231	HARD COAT	BLACK	10	THREAD 1xM63
1	HOOD HIP/EMV	Al.Leg 231	HARD COAT	BLACK	9	
1	HOOD HIP/EMV	Al.Leg 231	SUR TEC 650 CHROMIT AL TCP PASSIVATION	BLACK	8	
1	HOOD HIP/EMV	Al.Leg 231	HARD COAT	BLACK	7	THREAD 4xM32
1	HOOD HIP/EMV	Al.Leg 231	SUR TEC 650 CHROMIT AL TCP PASSIVATION	BLACK	6	THREAD 4xM32
1	HOOD HIP/EMV	Al.Leg 231	HARD COAT	BLACK	5	THREAD 2xM50+1.M20.G
1	HOOD HIP/EMV	Al.Leg 231	SUR TEC 650 CHROMIT AL TCP PASSIVATION	BLACK	4	THREAD 2xM50+1.M20.G
1	HOOD HIP/EMV	Al.Leg 231	HARD COAT	BLACK	3	THREAD 2xM40+1.M20.G
1	HOOD HIP/EMV	Al.Leg 231	SUR TEC 650 CHROMIT AL TCP PASSIVATION	BLACK	2	THREAD 2xM40+1.M20.G
1	HOOD HIP/EMV	Al.Leg 231	SUR TEC 650 CHROMIT AL TCP PASSIVATION	BLACK	1	THREAD 4xM25

QTY	DESCRIPTION	MATERIAL	SURFACE	COLOR	ITEM NO	NOTE												
1-5	1-2	1-1	1-0	0-9	0-8	0-7	0-6	0-5	0-4	0-3	0-2	0-1	DESCRIPTION	MATERIAL	SURFACE	COLOR	ITEM NO	NOTE
													HF-EMVK12.ST0.2M40G+1.M20G					
													HF-HIPK12.ST0.2M40G+1.M20G					
													HF-EMVK12.ST0.2M50G+1.M20G					
													HF-HIPK12.ST0.2M50G+1.M20G					
													HF-EMVK12.ST0.4M32G					
													HF-HIPK12.ST0.4M32G					
													HF-EMVK12.ST0.4M25G					
													HF-EMV-K.12.ST-WE					
													HF-HIP-K.12.ST-WE					
													HF-HIPK12.ST0.1M63G					
													HF-EMVK12.ST0.5M40G					
													HF-EMVK12.ST0.1M63G					
													HF-EMV-K.12.ST0.3.M25.G					

THIS DRAWING IS A CONTROLLED DOCUMENT. DWG: SCHNEIDER 18.05.2006  
 CHK: H.BRAUN 09.09.2001  
 APVD: T.SCHNURPEL 09.09.2001

TE Connectivity

NAME: HOOD  
 SERIES HF SIZE 12

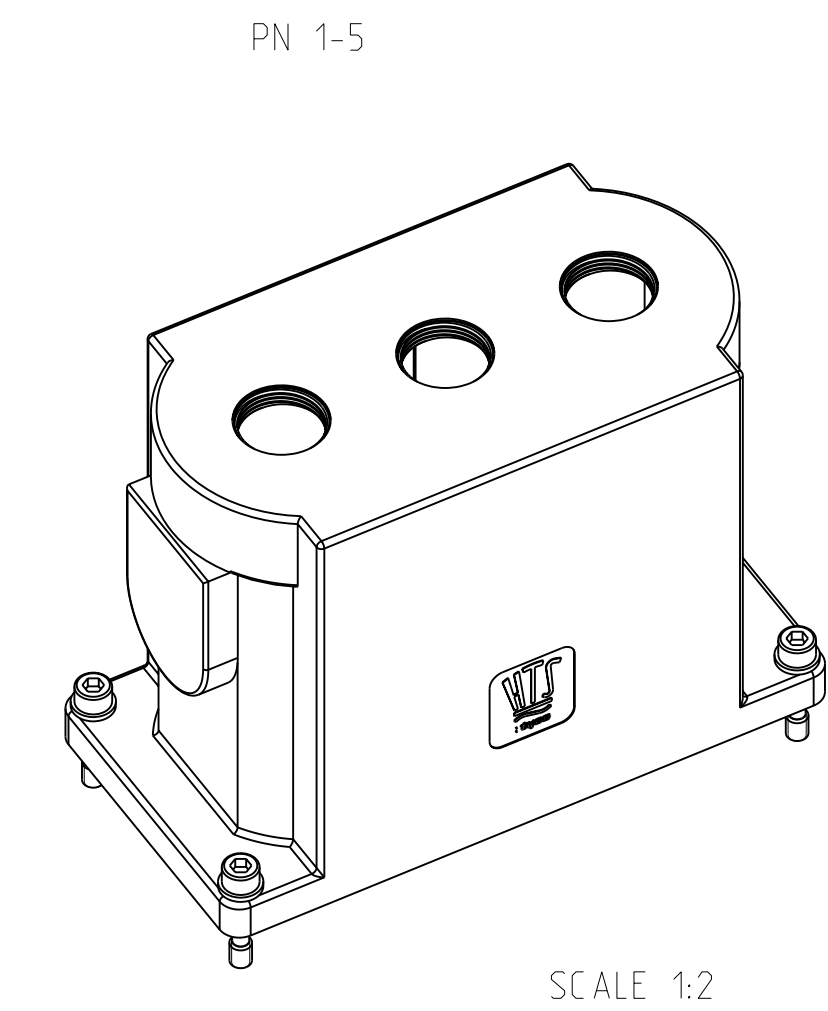
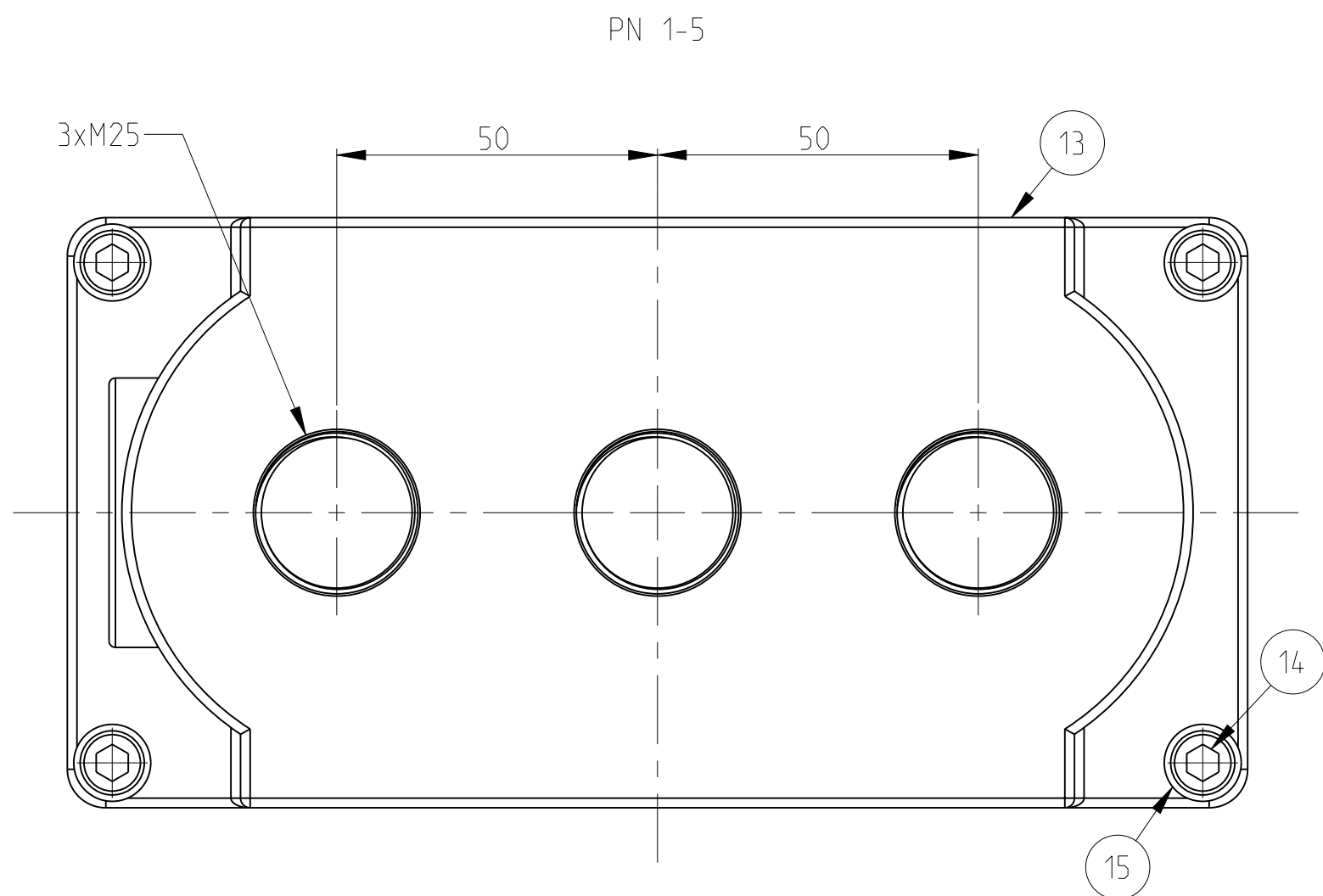
PRODUCT SPEC: 108-74XXX  
 APPLICATION SPEC: 114-74XXX

SIZE: A1 0079 C=1102840  
 SCALE: 5:1 SHEET: 1 OF 2

CUSTOMER DRAWING

THIS DRAWING IS UNPUBLISHED. RELEASED FOR PUBLICATION 2000  
 ALL RIGHTS RESERVED. COPYRIGHT 2000

LOC		DIST		REVISIONS			
A1	-	P	LTR	DESCRIPTION	DATE	DWN	APVD
		-		SEE SHEET 1	-	-	-



THIS DRAWING IS A CONTROLLED DOCUMENT.		DMN SCHNEIDER 18.05.2006	<b>TE</b> TE Connectivity	
DIMENSIONS: mm		CHK H.BRAUN 09.09.2001		
TOLERANCES UNLESS OTHERWISE SPECIFIED:		APVD T.SCHNURPEL 09.09.2001	NAME HOOD	
0 PLG ±0.1		PRODUCT SPEC		SIZE CAGE CODE DRAWING NO
1 PLG ±0.1		108-74XXX		RESTRICTED TO
2 PLG ±0.1		APPLICATION SPEC		A1 0079 C=1102840
3 PLG ±0.1		114-74XXX		SCALE 5:1 SHEET 2 OF 2 REV B4
4 PLG ±0.1		WEIGHT -		
ANGLES		CUSTOMER DRAWING		
FINISH				